



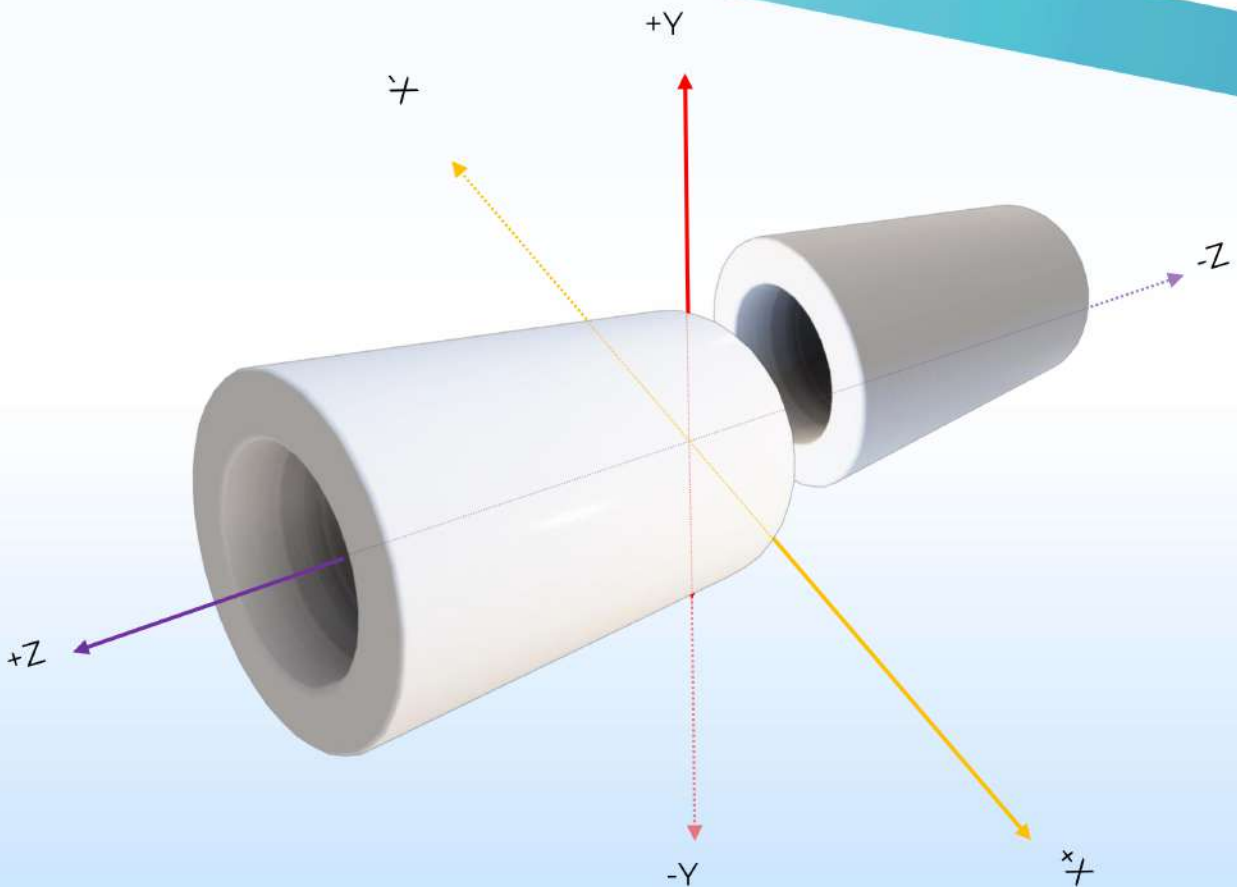
FUSE4

3 AXIS ACTIVE SPLICER



An optical fiber you work with is not always in a perfect round or in the center. So, you need

3AXIS ALIGNMENT



FUSE 4

3 AXIS ACTIVE SPLICER

12*16*14 Cm
Size inc. protector

2.2 Kg With battery & protector

13 Functional Keypad

5,500 Electrode life



4.3 Inch
Tempered Glass

x380 Magnification

180°
Tilting Monitor

Full touch
User Interface



Ready for work

Boot & warm up



Save you time

Splicing



Finish your work

in 30 Sec.

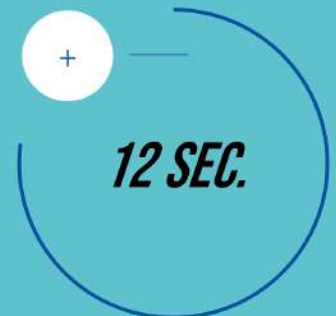
Automate your work

Cutting Fiber & Saving data



Faster & Stronger

Boost heating



ROBUST AND RELIABLE

Tempered Glass Monitor

Rubber protector

Modular parts





Magnet heating block
**Compatible with
All connectors &
cables**

Make your Cable straight,
Zero-Bending Loss

Wide Heating Plate
**Splice On Connector
Assy' level UP!**



Calibration bar

Heat spreading range



KLIV 1

High precision Fiber Cleaver



0.5°

Cutting angle



50,000

Blade life

AUTO

Push-back



ALL Fibers

250Um ~ 3.2mm

Accessories

Make your work
Easy & Efficient



Specification

Model	Fuse 4
Size	Size : 120Wx160Dx140H Weight : 2.2kg
Cleaver	KLIV 1 (Auto push-back with manual trash bin)
Monitor	4.3" TFT color LCD 380X Magnification , Tilting angle : 180°
Splicing Time	SM AUTO mode : 6Sec.
Splicing loss	SM : 0.03dB MM : 0.01dB DS : 0.04dB NZDS : 0.04dB
Return Loss	>60dB
Heater	Boost heater with built-in SOC heating block
60mm sleeve	13Sec.
Splicing Program	141 Splice modes
Heating Program	105 Splice modes
Applicable Fibers	G.651,652,653,655,other single mode fibers including ITU-T G.657A, G.657B
Electrode life cycle	5,500
Coating diameter	100~3200 μm
Applicable Sleeves	20, 25, 30, 35, 40, 50, 60mm, Micro
Tension Test	1.96~2.25N
Cleaved length	250Um Fiber : 8~16mm 900Um Fiber : 10~16mm
Data transmission	Mini USB
Data Storage *Splicer *	20,000 splice record memory / 500 Splice Image Memory
Data Storage * Cloud server *	-
Warranty	3years
Power AC	100~240V 50/60Hz
DC	12 ~ 15V (Quick recharging)
Battery	Li-ion 12V (5200mA) Portable type (Detachable)
Battery in package	1pc potable (Basic set)
Splice & Heat cycle	250 cycles
Charging Method	AC Adapter Charging Available during operation
Operating condition	0 to 5,000m above sea level, 0 to 95%RH and -10 to 50°C and up to 15m/s wind velocity, respectively.
Storage condition	0~95% relative humidity, -40 ~ 80°C , battery : -20 ~ 30°C for long term