

RACK – FLOOR STANDING

*new structure  
rel. 2.0*

# FLOOR STANDING

## Description

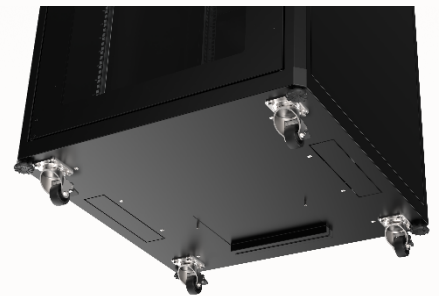
The ORCA Networking FLOOR cabinets are designed and manufactured in compliance with quality and safety standards, optimal solutions for the management and organization of structure cabling. Orca system offers a range of wall racks with relative accessories. Rack cabinets are distinguished by their exceptional robustness, which, combined with affordability and simplicity of assembly/disassembly, place them at the top of their category.



### General Feature

Feature:

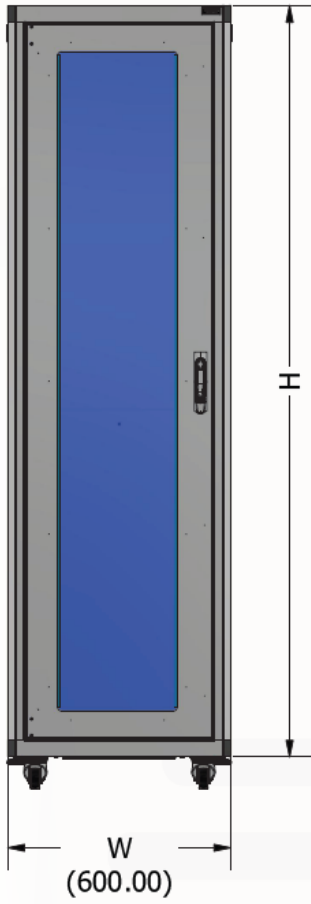
- 19" Compatibility, Brushed and pre-cut Cable Entries
- Material: 12/10 DKP Steel - Finish Surface Powder Coating, Color RAL9005 (Black)
- IP20 protection degree in according to EN 60529.
- Passive ventilation slots and perforated panels for the recirculation of hot air
- Front glass single door - Reversible, with quick release hinges system.
- With foldaway handle, 3 points locking system, 2 keys supplied. Opening 110°
- Blind side and rear panels removable with quick release system and 1/4 turn lock;
- 33, 36, 42, 47U with removable panel divided into two parts.
- Front and rear 19 " in 20/10 galvanized steel side uprights adjustable in depth;
- Roof with predisposition for mounting 2-4 or more fans ventilation unit,
- pre-punched space for cable inlet
- Pre-punched and brushes space for cable inlet on bottom.
- Levelling feet and wheels;
- Standard ground kit;
- Static Load Capacity: 800kg
- Optional - Finishing plinth H100mm
- On 800 version, 2 front vertical cable management with doors.



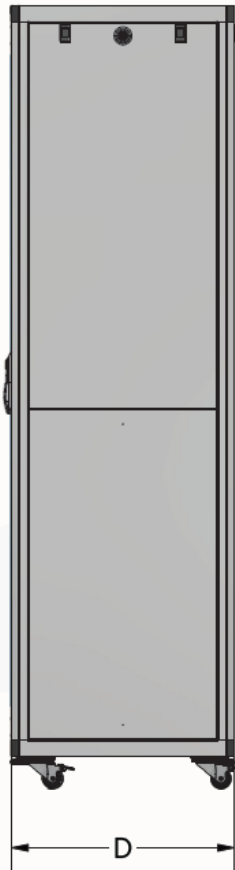
Specifications subject to change without prior notice - For more details please visit [www.orca.it](http://www.orca.it)

# 600 x 600

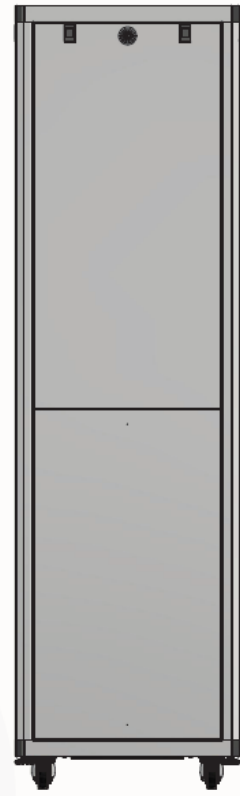
Front View



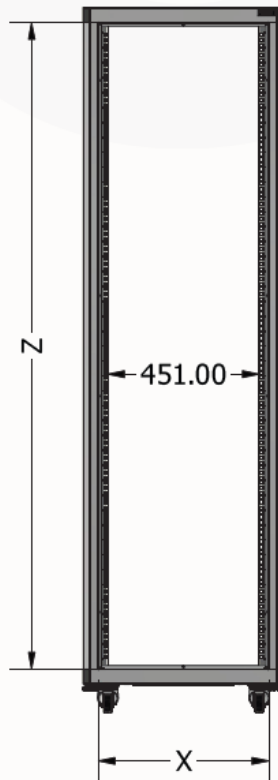
Side View



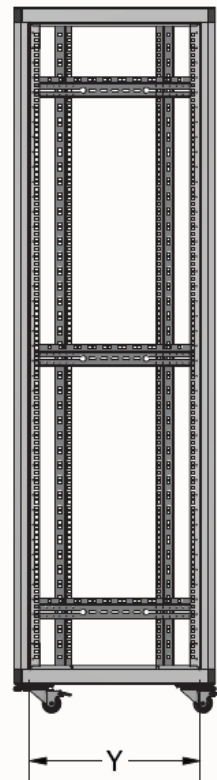
Rear View



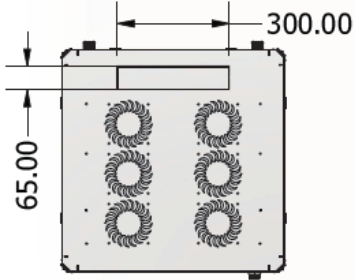
Front View Detail



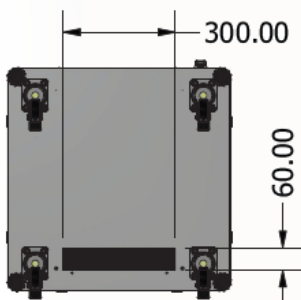
Side View Detail



Top View



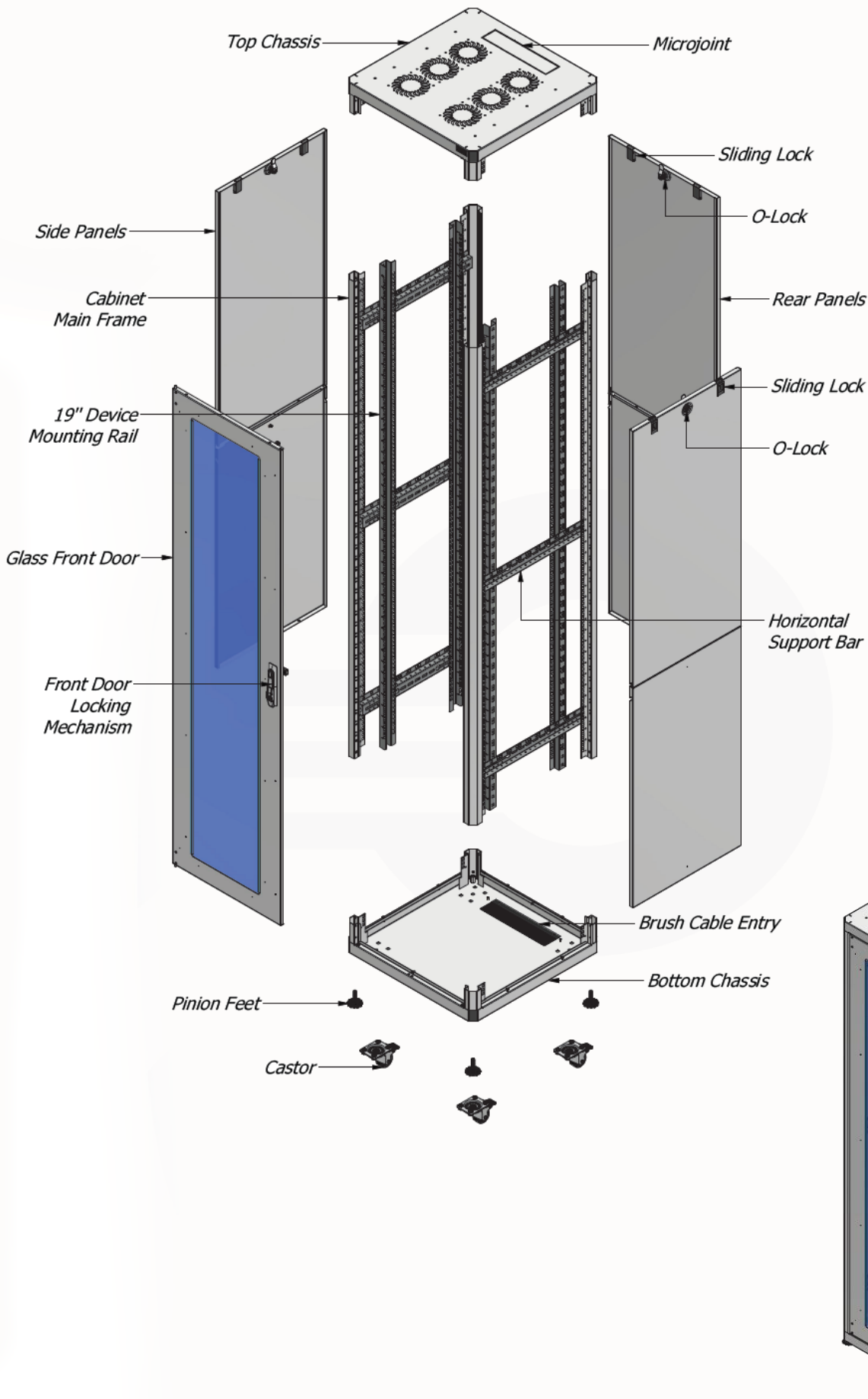
Bottom View



Specifications subject to change without prior notice - For more details please visit [www.orca.it](http://www.orca.it)

aqg.04/2026

600 x 600

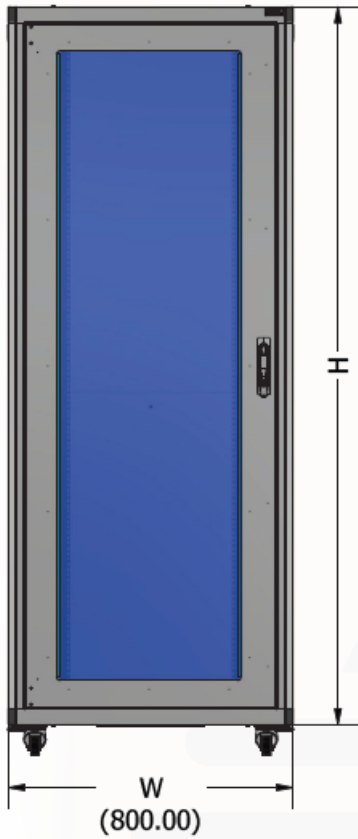


Specifications subject to change without prior notice - For more details please visit [www.orca.it](http://www.orca.it)

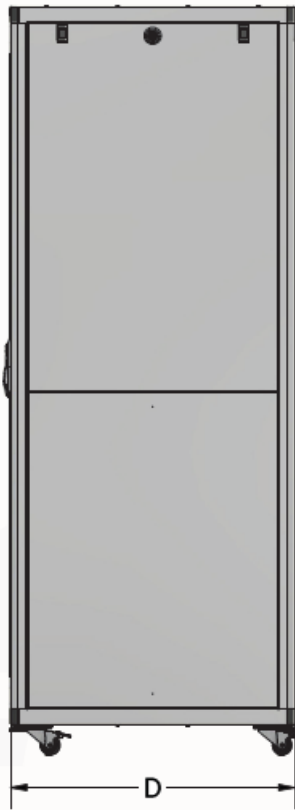
agg.04/2026

# 800 x 800

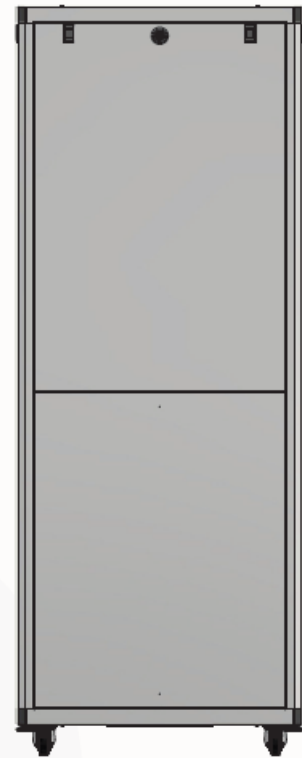
Front View



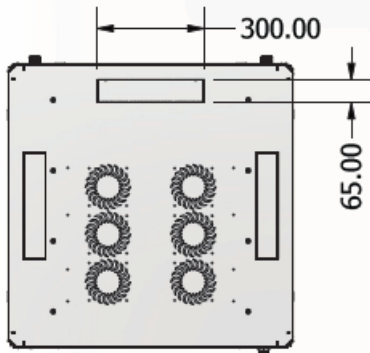
Side View



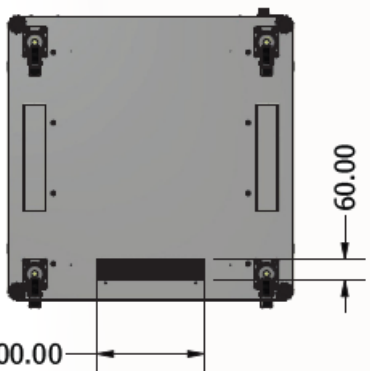
Rear View



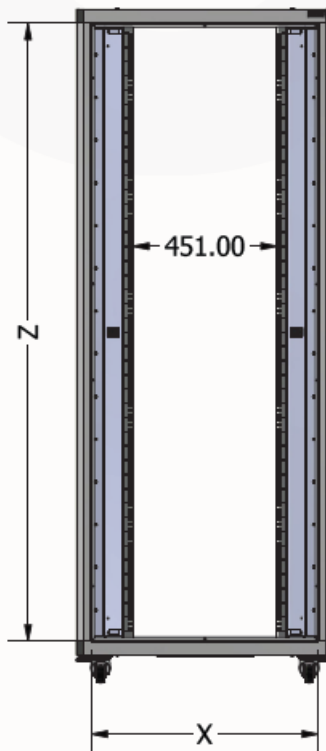
Top View



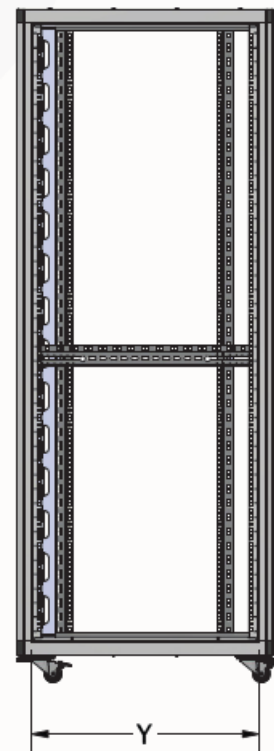
Bottom View



Front View Detail



Side View Detail

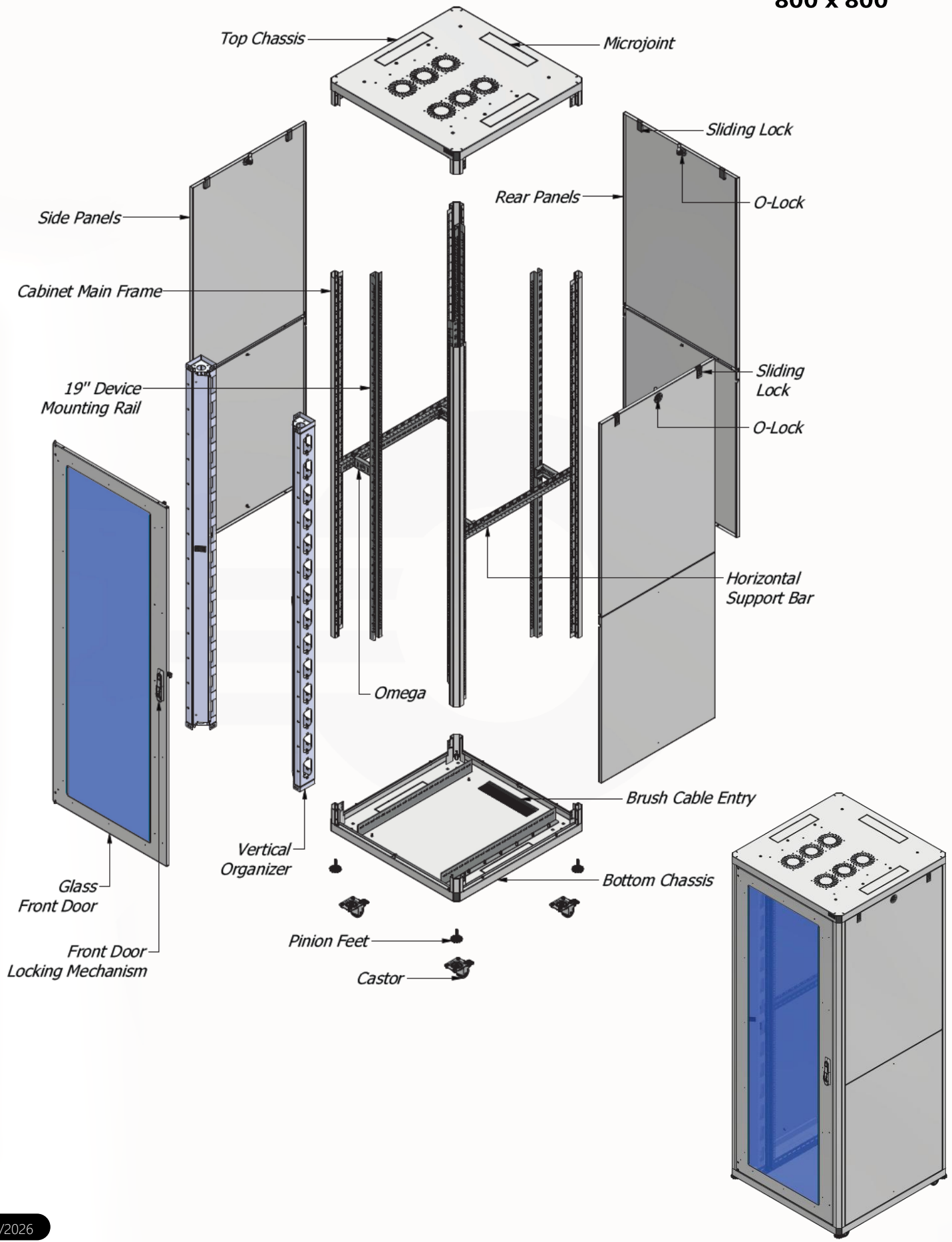


Specifications subject to change without prior notice - For more details please visit [www.orca.it](http://www.orca.it)

agg.04/2026

300.00

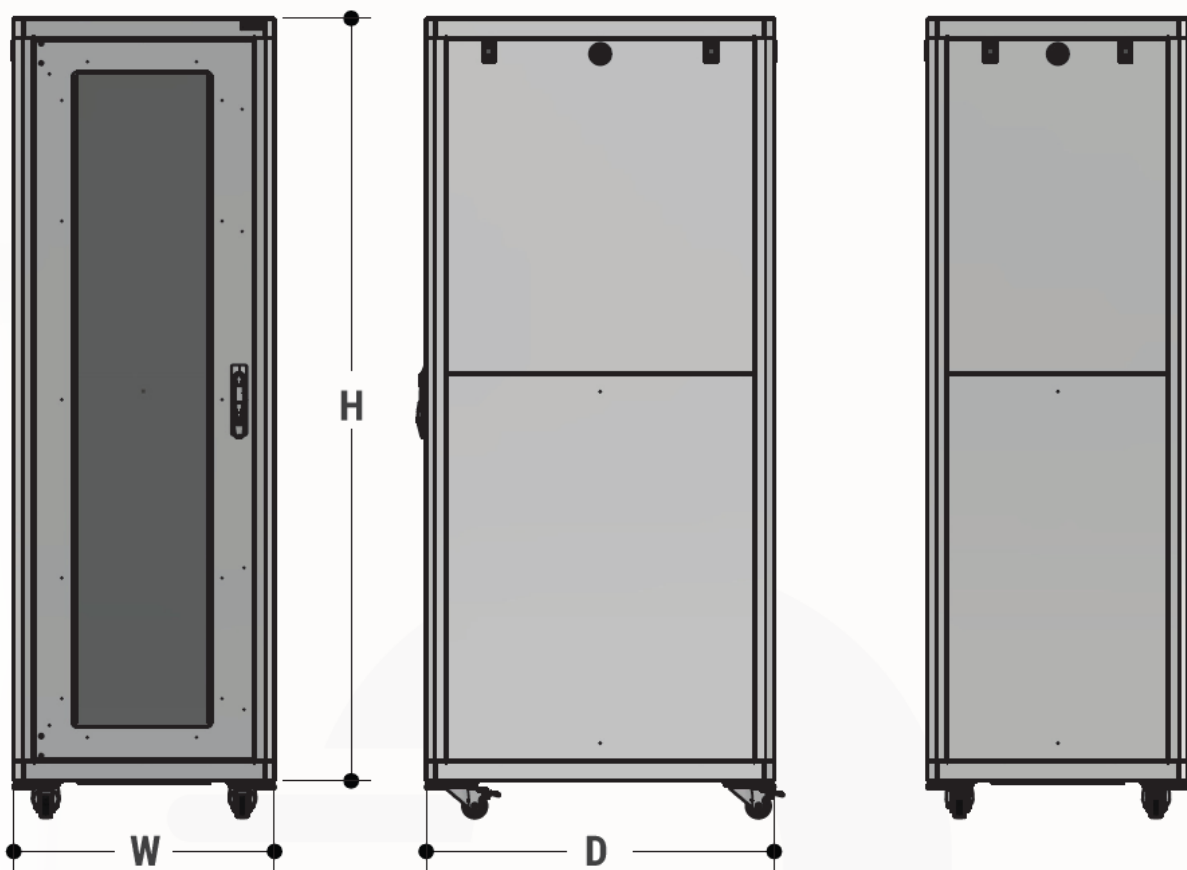
800 x 800



Specifications subject to change without prior notice - For more details please visit [www.orca.it](http://www.orca.it)

aqg.04/2026

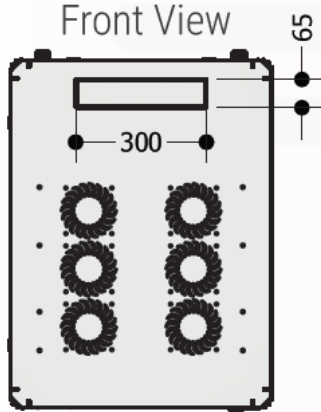
600x800



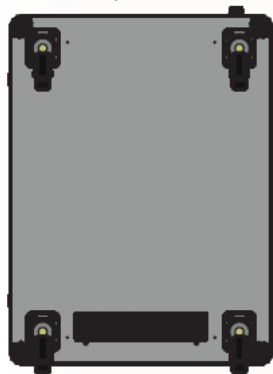
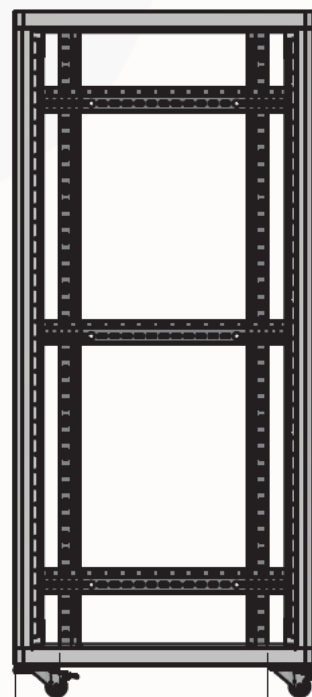
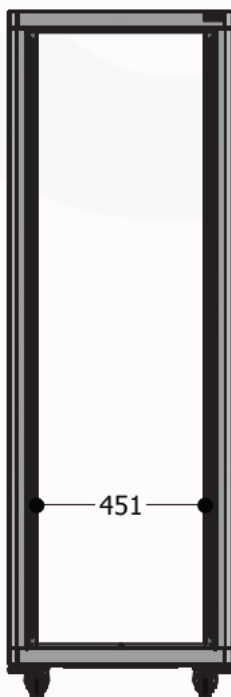
Front View

Side View

Rear View



Top View

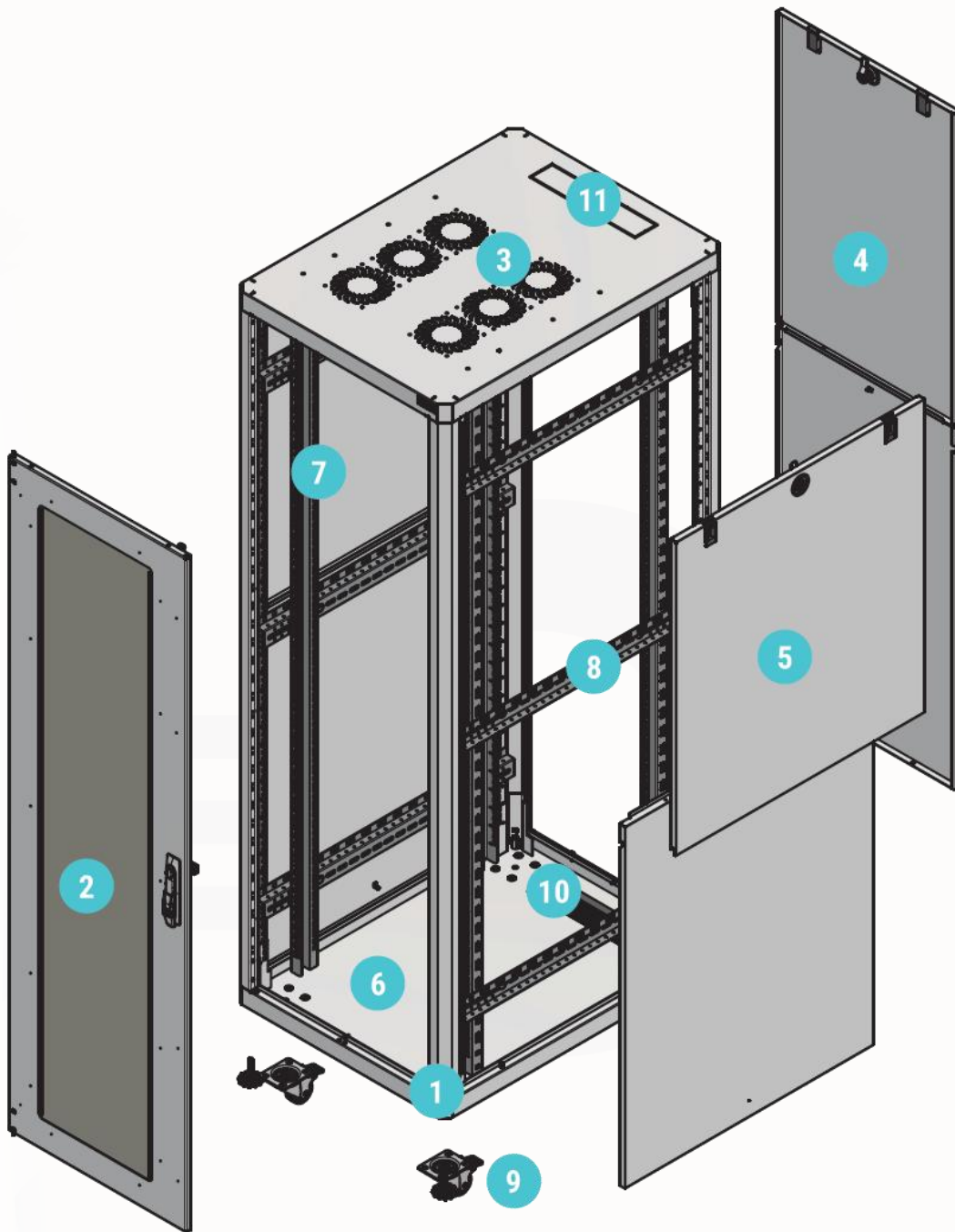


Bottom View

Specifications subject to change without prior notice - For more details please visit [www.orca.it](http://www.orca.it)

agg.04/2026

600x800



- 1 Base Structure
- 2 Front Glass Door
- 3 Top Panel
- 4 Rear Panels

- 5 Side Panels
- 6 Bottom Panel
- 7 19" Rails
- 8 Support Bars

- 9 Casters
- 10 Brushed Cable Hole
- 11 Top Panel Cable Hole

Specifications subject to change without prior notice - For more details please visit [www.orca.it](http://www.orca.it)

agg.04/2026

U	W(mm) Overall/Useful	D(mm) Overall/Useful	H(mm) Overall/Useful
without leveling feet (adjustable) and casters (85mm)			
<b>600x600</b>			
20	600 / 508	600 / 508	1039 / 950
24	600 / 508	600 / 508	1217 / 1127
27	600 / 508	600 / 508	1350 / 1260
33	600 / 508	600 / 508	1617 / 1527
36	600 / 508	600 / 508	1750 / 1660
42	600 / 508	600 / 508	1917 / 1867
Maximum space between rails 355mm			
<b>600x800</b>			
27	600 / 508	800 / 708	1350 / 1260
33	600 / 508	800 / 708	1617 / 1527
36	600 / 508	800 / 708	1750 / 1660
42	600 / 508	800 / 708	1917 / 1867
47	600 / 508	800 / 708	2240 / 2150
<b>800x800</b>			
33	800 / 708	800 / 708	1617 / 1527
36	800 / 708	800 / 708	1750 / 1660
42	800 / 708	800 / 708	1917 / 1867
47	800 / 708	800 / 708	2240 / 2150
Maximum space between rails 555mm			

Ordering Information code:	
<b>600 * 600</b>	
OC-RKF-662000-00M	ORCA - Floor Standing Rack, 600x600x20U, front glass single door, blind rear and side panels, load capacity 800 kg Black
OC-RKF-662400-00M	ORCA - Floor Standing Rack, 600x600x24U, front glass single door, blind rear and side panels, load capacity 800 kg Black
OC-RKF-662700-00M	ORCA - Floor Standing Rack, 600x600x27U, front glass single door, blind rear and side panels, load capacity 800 kg Black
OC-RKF-663300-00M	ORCA - Floor Standing Rack, 600x600x33U, front glass single door, blind rear and side panels in 2 sections, load capacity 800 kg Black
OC-RKF-663600-00M	ORCA - Floor Standing Rack, 600x600x36U, front glass single door, blind rear and side panels in 2 sections, load capacity 800 kg Black
OC-RKF-664200-00M	ORCA - Floor Standing Rack, 600x600x42U, front glass single door, blind rear and side panels in 2 sections, load capacity 800 kg Black
<b>600 * 800</b>	
OC-RKF-682700-00M	ORCA - Floor Standing Rack, 600x800x27U, front glass single door, blind rear and side panels, load capacity 800 kg Black
OC-RKF-683300-00M	ORCA - Floor Standing Rack, 600x800x33U, front glass single door, blind rear and side panels in 2 sections, load capacity 800 kg Black
OC-RKF-683600-00M	ORCA - Floor Standing Rack, 600x800x33U, front glass single door, blind rear and side panels in 2 sections, load capacity 800 kg Black
OC-RKF-684200-00M	ORCA - Floor Standing Rack, 600x800x42U, front glass single door, blind rear and side panels in 2 sections, load capacity 800 kg Black
OC-RKF-684700-00M	ORCA - Floor Standing Rack, 600x800x47U, front glass single door, blind rear and side panels in 2 sections, load capacity 800 kg Black
<b>800 * 800</b>	
OC-RKF-883300-00M	ORCA - Floor Standing Rack, 800x800x33U, front glass single door, blind rear and side panels in 2 sections, load capacity 800 kg Black
OC-RKF-883600-00M	ORCA - Floor Standing Rack, 800x800x36U, front glass single door, blind rear and side panels in 2 sections, load capacity 800 kg Black
OC-RKF-884200-00M	ORCA - Floor Standing Rack, 800x800x42U, front glass single door, blind rear and side panels in 2 sections, load capacity 800 kg Black
OC-RKF-884700-00M	ORCA - Floor Standing Rack, 800x800x47U, front glass single door, blind rear and side panels in 2 sections, load capacity 800 kg Black