

FIBER CONNECTORS

FAOC – Field Assembly Optical Connector – SC TYPE



Description

ORCA SC type FAOC is the most widely used fiber optic connector in FTTx that does not need epoxy or polishing. It enables fast and on-site installation of 250/900µm, (2.0mm, 3.0mm and 1.6mm x 2.0mm, 2.0mm x 3.0mm)* cable type connectors even when the user has no access to power. Two or three pieces of the preassembled and factory terminated connectors can be installed within 2 minutes using simple tools and can be recycled several times. It accommodates a reliable and durable optical network especially suitable for advanced fiber optic systems requiring exceptional stability and low loss.

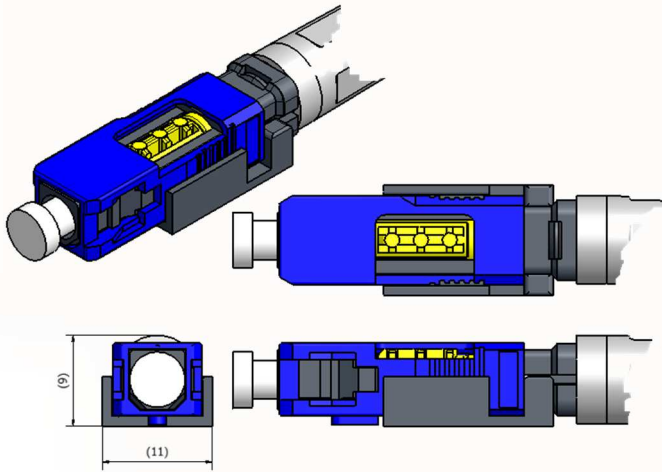
Item:	Assembling Tools:
- Field Installable Connector	- Cleaver
- Fast Installable Optical Connector	- Scissors
- Pre-polished Optical Connector	- Gauze with Alcohol
- Quick Assembly Connector	- Stripper

Application:	Features:
- Fiber Optic Telecommunication	- Quick and easy fiber termination
- Fiber Distribution Frame	- Available to re-use
- FTTH Outlets	- High success rate of connection
- Optical Cable Interconnection	- Superior optical characteristic value
- Cable Television	- Simple assembly process
	- No failure after opening

Product Specification:	
Standard	TIA / EIA 604-3 [SC]
Insertion Loss	Typ. 0.3dB / Max. 0.5dB
Return Loss	>50dB [PC], >55dB [APC]
Endurance	500 times reconnection / ≤ 0.2dB
Tension	[3.0mm, 2.0mm X 3.0mm] 4.0kg / ≤ 0.2dB change (*)
	[2.0mm, 1.6mm X 2.0mm] 2.0kg / ≤ 0.2dB change (*)
Temperature Change	[250µm&900µm] 0.75kg / ≤ 0.2dB change
	21 times / -40°C ~ +85°C / ≤ 0.2dB change
	(*) on request only



Specifications subject to change without prior notice - For more details please visit www.orca.it



Connector type:

- V-groove type
- Fiber type
 - SM : Standard Single Mode Fiber type
 - MM : Multi Mode 50/125 & 62.5/125
Micron fiber type (OM1, OM2, OM3, OM4)
- Ferrule Polishing type:
 - PC type : Physical Contact type
 - APC type : Angled Physical Contact type
- Connector type for using cable type
 - 3.0mm (Round) type (*)
 - 2.0mm (Round) type (*)
 - 2.0mm X 3.0mm (Flat) type (*)
 - 1.6mm X 2.0mm (Flat) type (*)
 - 250µm&900µm (Round) type

End Face Geometry [Based on GR-326]	PC type	APC type (^)
Radius of Curvature (nm)	7~25	5~12
Apex Offset (um)	Less than 50	Less than 50
Fiber Height (nm)	±50	±50
Tilt Error on APC 8'	None	±0.2



Ordering Information code:	(MOQ 10 pz.)
OC-FCE-131115-00	ORCA - Pre-Assembled Connector SC SingleMode OS2 9/125 - 250/900 (^)
OC-FCE-131115-03	ORCA - Pre-Assembled Connector SC MultiMode OM1 62,5/125 - 250/900
OC-FCE-131115-01	ORCA - Pre-Assembled Connector SC MultiMode OM2 50/125 - 250/900
OC-FCE-131115-02	ORCA - Pre-Assembled Connector SC MultiMode OM3/4 50/125 - 250/900

(^) APC version on request