

COPPER SYSTEM

COPPER CRIMPING TOOL FOR KEYSTONE JACK 180°

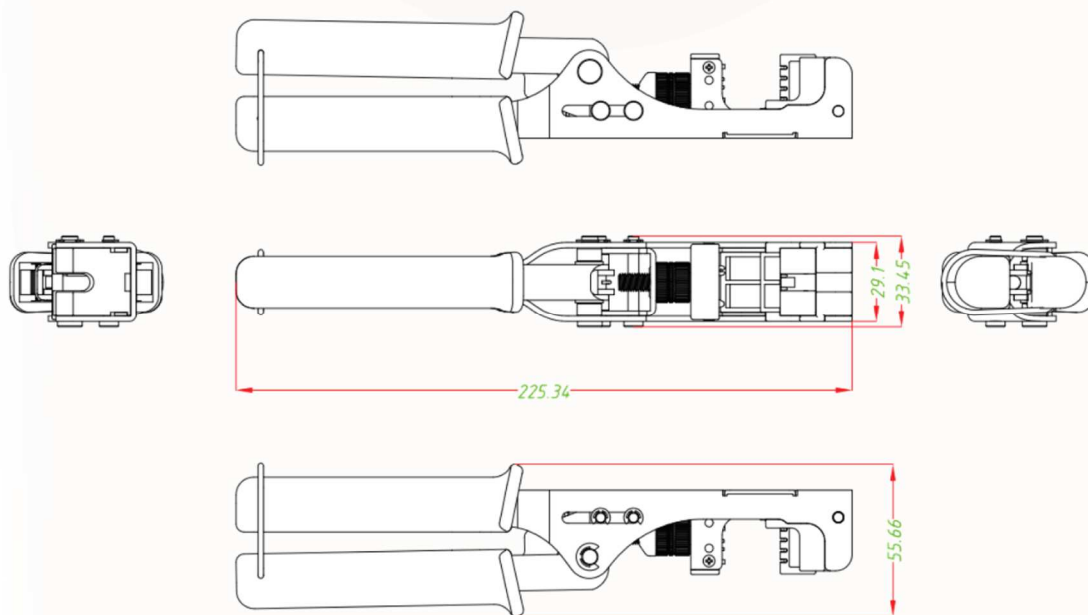


Description

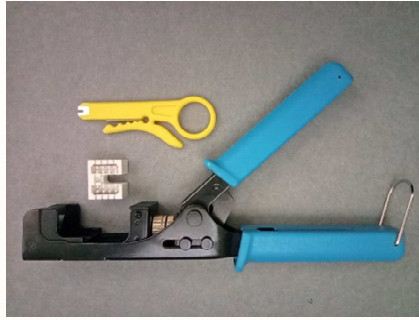
ORCA® OneTool, practical tool that allows the insertion and cutting of the excess of 8 wires at the same time. The removable matrix allows, by correctly setting the twisted pair at the right distance, to minimize NEXT problems due to termination. Indication of standard A or B clearly indicated. Suitable for Orca 180° series keystone, Cat. 6 and 6A black and white color. Onetool, 4-step termination!

Feature:

Body Material: Cold rolled iron	Handle material: Plastic
180° keystone dedicated special tool	Insertion matrix: 1000 cycles
Adjustable thrust force	Wire: 22-24 AWG
Working temperature : -25 °C ~ 70 °C	Storage temperature: - 40 °C ~ 68 °C
RoHS Directive 2011/65/EU compliant	



Specifications subject to change without prior notice - For more details please visit www.orca.it



Ordering Information code:	
Crimping Tool:	
OC-TL-269000-08	ORCA - OneTool, fast tool for 180° keystone insertion and cutting.
Keystone:	
OC-MJ6-233120-18	ORCA - Keystone Jack Cat 6 UTP OneTool/dual 180°, Slim - White
OC-MJ6-233130-18	ORCA - Keystone Jack Cat 6 UTP OneTool/dual 180°, Slim - Black
OC-MJ6-233125-18	ORCA - Keystone Jack Cat 6A UTP OneTool/dual 180°, Slim - White
OC-MJ6-233135-18	ORCA - Keystone Jack Cat 6A UTP OneTool/dual 180°, Slim - Black
Patch Panel:	
OC-PP6-570125-24	ORCA - Patch panel 24 ports, unload, UTP/FTP Cat. (5E)/6/6A with removable cable management, cable clips.

