

# RACK FINISHING PLINTH

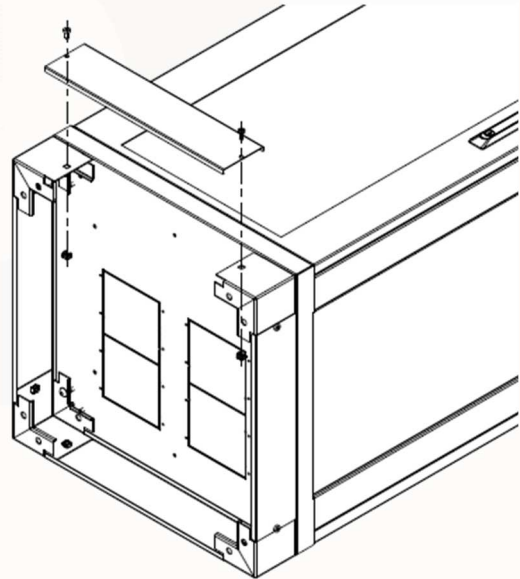
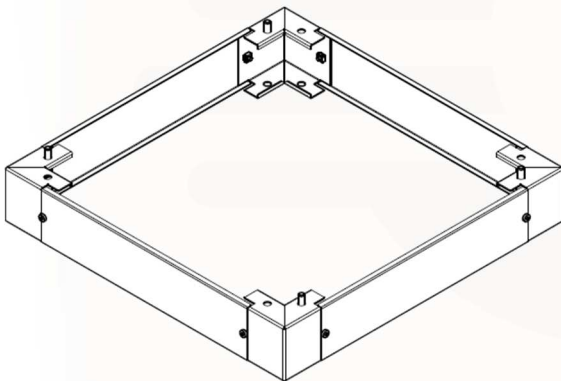


## Description

Finishing plinth for Orca racks

### General feature:

Physical	Realized in steel painted, 10/10 - 20/10
	Surface finish Black RAL 9005.
	H = 100mm
	Fixed by screws and nuts
	Finishing plinth, not load-bearing, use with supplied levelling feet



### Ordering Information code:

OC-RAC-556642-01N	ORCA - Finishing plinth for floor rack 600x600 - Black
OC-RAC-558642-01N	ORCA - Finishing plinth for floor rack 600x800 / 800x600 - Black
OC-RAC-558842-01N	ORCA - Finishing plinth for floor rack 800x800 - Black
OC-RAC-556142-01N	ORCA - Finishing plinth for floor server rack 600x1000 - Black
OC-RAC-558142-01N	ORCA - Finishing plinth for floor server rack 800x1000 - Black

Specifications subject to change without prior notice - For more details please visit [www.orca.it](http://www.orca.it)