

COPPER ACCESSORIES

MODULAR PLUGS



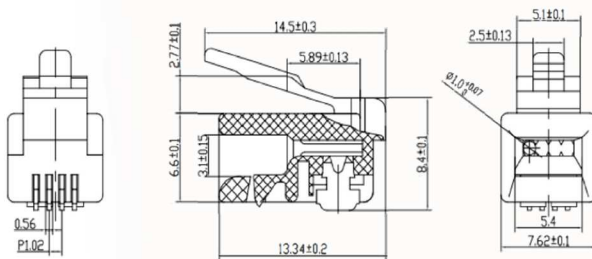
Description

All the ORCA® modular plugs are designated and manufactured with an ISO9001 system. A complete line of the modular plugs for any telecommunications application. Available modular plugs for solid and stranded copper conductor. Most Modular plugs are in stock for immediately ship, special and bulk packages are available and we make quickly on request.

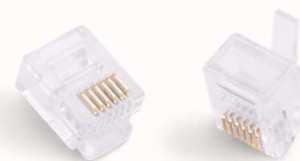
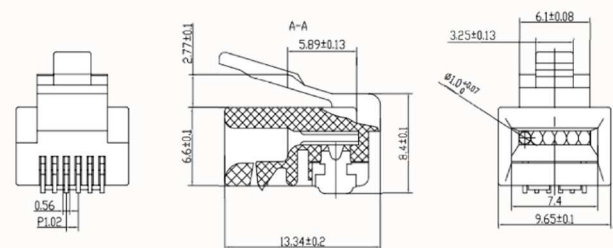
Feature:

Available Shielded and Unshielded	Available Cat.3, Cat 5E and Cat 6
Backwards compatible	Field terminable capability
Ultra slim design for high density environments	Designed for ease of termination and assembly
Acceptable stranded and solid cable FTP and UTP	
Telephonic version are suitable for 24-26 AWG cable	
LAN version are suitable for 23-26 AWG cable	
Housig: polycarbonate UL94V-0 or -2	Transparent color
Contact blade made in copper alloy	30 micro gold plating contacts
2 or 3 legs available	
UL Application 250Vac max at 2A	Dielectric: 1000Vac @60sec
Insulation resistance: 500MΩ (100MΩ telephonic)	Contact resistance: 20mΩ max
Strain Relife: 20 pound min.	Durability: 200-350 mating cycles
ROHS Compliant	

Plug 4 position UTP

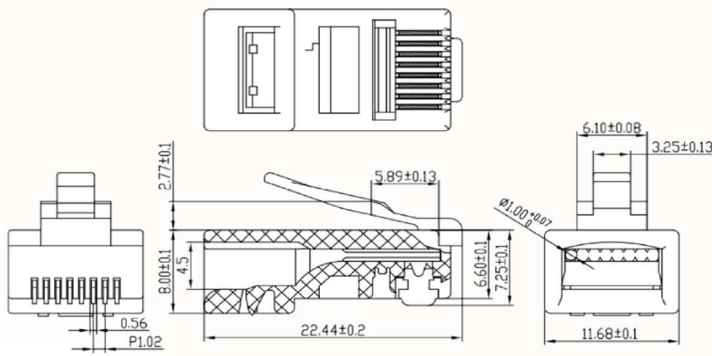


Plug 6/4 position UTP

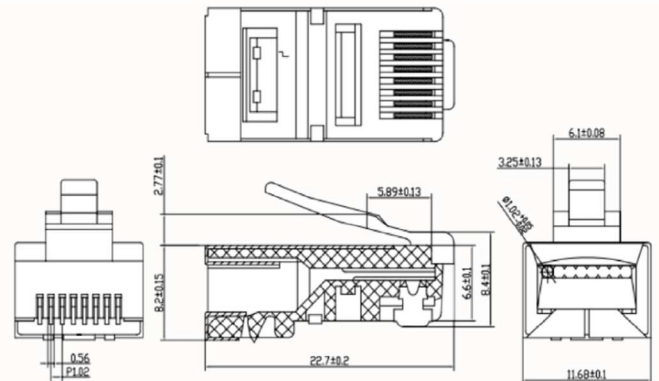


Specifications subject to change without prior notice - For more details please visit www.orca.it

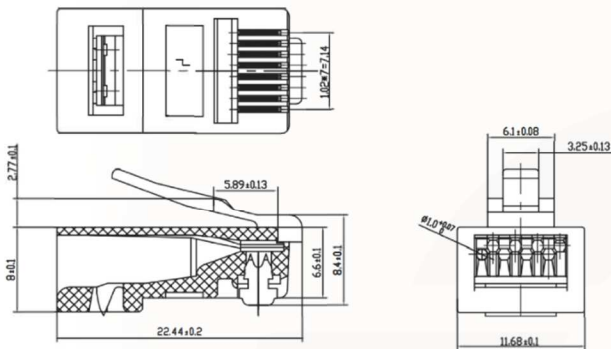
Plug 8 position Cat5E UTP



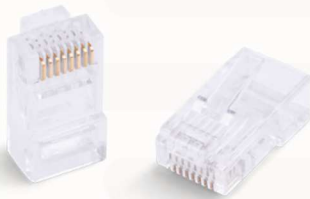
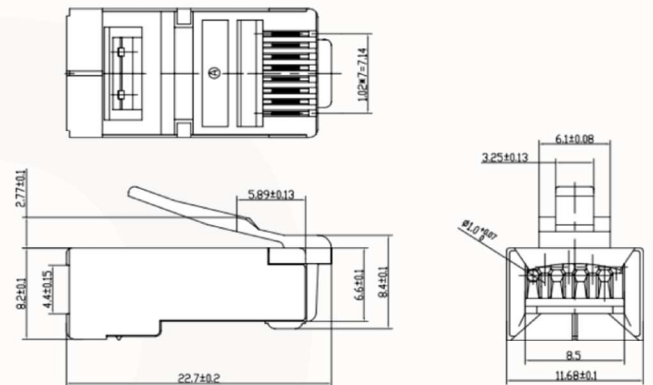
Plug 8 position Cat5E FTP



Plug 8 position Cat6 UTP



Plug 8 position Cat6 FTP



Ordering Information code:

(MOQ. 50 Pz. pack)

OC-PLG-230110-00 ORCA - Plug 4 position UTP stranded cable
 OC-PLG-230110-01 ORCA - Plug 4 position UTP for solid installation cable

OC-PLG-230113-00 ORCA - Plug 6/4 position UTP stranded cable
 OC-PLG-230111-00 ORCA - Plug 6 position UTP stranded cable

CAT. 5E

OC-PLG-232112-02 ORCA - Plug 8 position UTP for Cat.5E stranded cable
 OC-PLG-232122-01 ORCA - Plug 8 position UTP Cat.5E solid installation cable
 OC-PLG-232212-02 ORCA - Plug 8 position FTP for Cat.5E stranded cable
 OC-PLG-232212-01 ORCA - Plug 8 position FTP Cat.5E solid installation cable

CAT. 6

OC-PLG-233112-00 ORCA - Plug 8 position whit pre-insertion UTP, Cat.6 stranded cable
 OC-PLG-233112-01 ORCA - Plug 8 position UTP for Cat.6 solid installation cable
 OC-PLG-233112-02 ORCA - Plug 8 position UTP for Cat.6 stranded cable
 OC-PLG-233212-01 ORCA - Plug 8 position FTP for Cat.6 solid installation cable
 OC-PLG-233121-01 ORCA - Plug 8 position FTP for Cat.6 stranded cable

Specifications subject to change without prior notice - For more details please visit www.orca.it