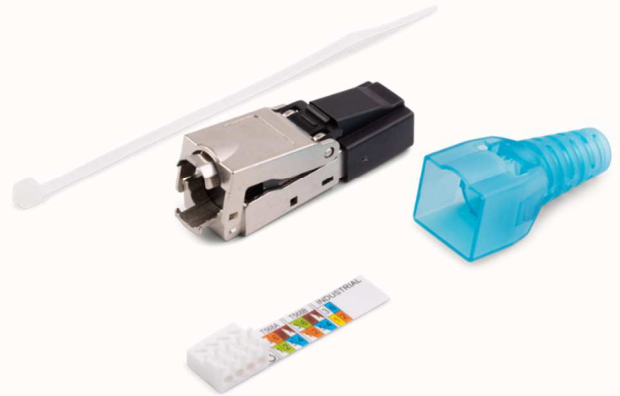


COPPER ACCESSORIES

PLUG CAT 6A FTP and UTP - toolless



Description

All the ORCA® modular plugs are designated and manufactured with an ISO9001 system. A complete line of the modular plugs for any telecommunications application. Available modular plugs for solid and stranded copper conductor. Most Modular plugs are in stock for immediately ship, special and bulk packages are available and we make quickly on request.

General Future:

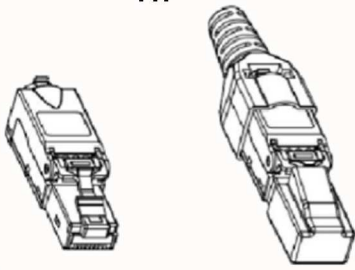
Available Shielded and Unshielded	Available in Cat 6A
Backwards compatible	Accommodate termination of 22,24 AWG cable
Cat 6A Permanent Link ANSI/TIA/EIA 568B.2-10	Solid and stranded cable
Working temperature: -10°/+60° C	Storage Temperature: -40/+60° C

FTP	UTP
Material FTP version: Zinc Alloy + PC	Material UTP version: Plastic PC
Rated current: 1.5 A	-
Insulation resistance: $\geq 500 \text{ M}\Omega$	Insulation resistance: $\geq 500 \text{ M}\Omega @100\text{Vdc}$
Contact resistance: $\leq 10 \text{ M}\Omega$	Contact resistance: $\leq 20 \text{ M}\Omega$
Conductor DC resistance: $\leq 0,1 \Omega$	-
Withstand voltage: DC 1000 V, AC 750 V, no breakdown within 1 minute	
Plug in life: ≥ 750 times	
Retention force(lifting weight) : $\geq 5\text{kg}$	-
Service life IDC: 200 times of repeated threading	Service life IDC: 250 times of repeated threading

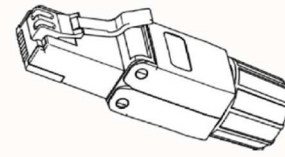


Specifications subject to change without prior notice - For more details please visit www.orca.it

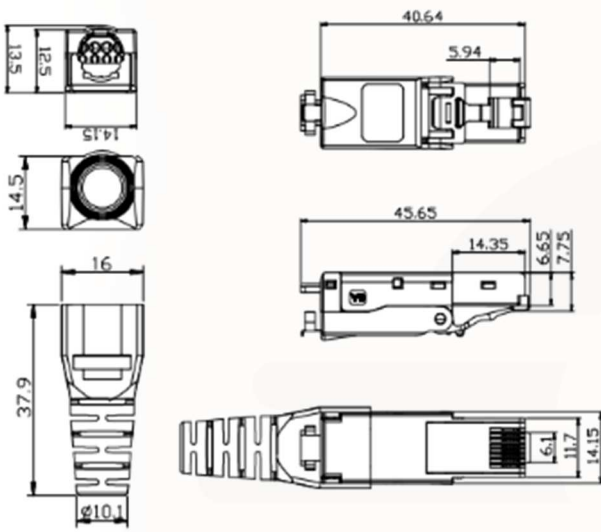
FTP



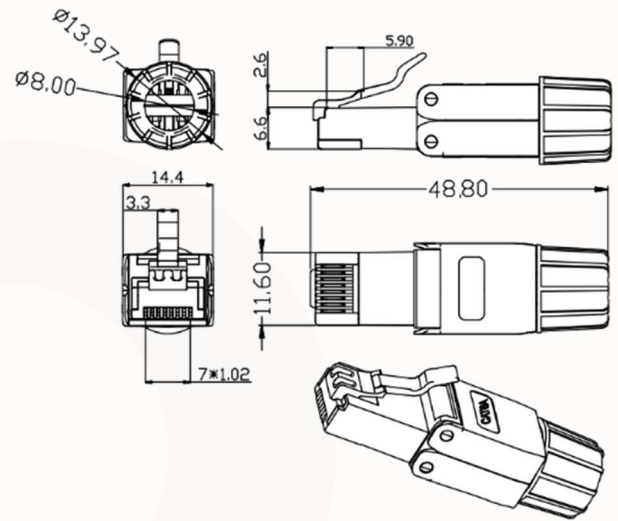
UTP



FTP



UTP



Ordering Information code:

- | | |
|------------------|---|
| OC-PLG-233412-01 | ORCA - Plug toolless - 8 position UTP for Cat.6A installation cable |
| OC-PLG-233312-01 | ORCA - Plug toolless - 8 position FTP for Cat.6A installation cable |