

COPPER KEYSTONE Cat.5E

COPPER KEYSTONE RJ45 CAT. 5E FTP – PUNCH 110



Description

ORCA® Category 5E Series jacks exceed TIA/EIA-568-B requirements for Category 5E component performance. The Category 5E System complies with all of the performance requirements for current and proposed applications such as Gigabit Ethernet, 100BASETx, token ring, 155 Mbps ATM, 100 Mbps TP-PMD, ISDN, analogue (broadband, baseband) and digital video and analogue and digital (VoIP) voice. These slim profile jacks are compatible with European faceplates. Universal wiring labels permit termination to either T568A or T568B wiring patterns. Cables may be dressed at 90 degree or added flexibility at various outlet locations. The strain relief may also be used to reduce stress on cable at point of termination.

All components and the final product are design, 2 layered and tested to conform the requirements of TIA/EIA-568-A and TIA/EIA-568-B, TIA/EIA TSB-40, ISO/IEC Generic cabling standard 11801, CENELEC Generic Cabling Standard EN50173, mates with modular plug conforming to FCC part 68, subpart F.

Material Specification:

	Housing	PC UL94V-0
RJ45 Keystone Jack:	Contact Bracket	Flame retard ABS - UL94V-0
	Shield	Shielding case - brass T=0,30mm nickel plating
	Contact Material	Phosphor Bronze stamp PIN T=0.35 mm
RJ45 Keystone Jack:	Contact Finish	-
	Housing	PC UL94V-0
IDC:	Contact	Phosphor Bronze stamp PIN T=0,50mm Nickel Plating
	Type	DUAL – 90°
	AWG range:	24-26
IDC CAP:	Material	-
PCB:	Material	FR4 THICKNESS 1.6 mm

Specifications subject to change without prior notice - For more details please visit www.orca.it

Performance:

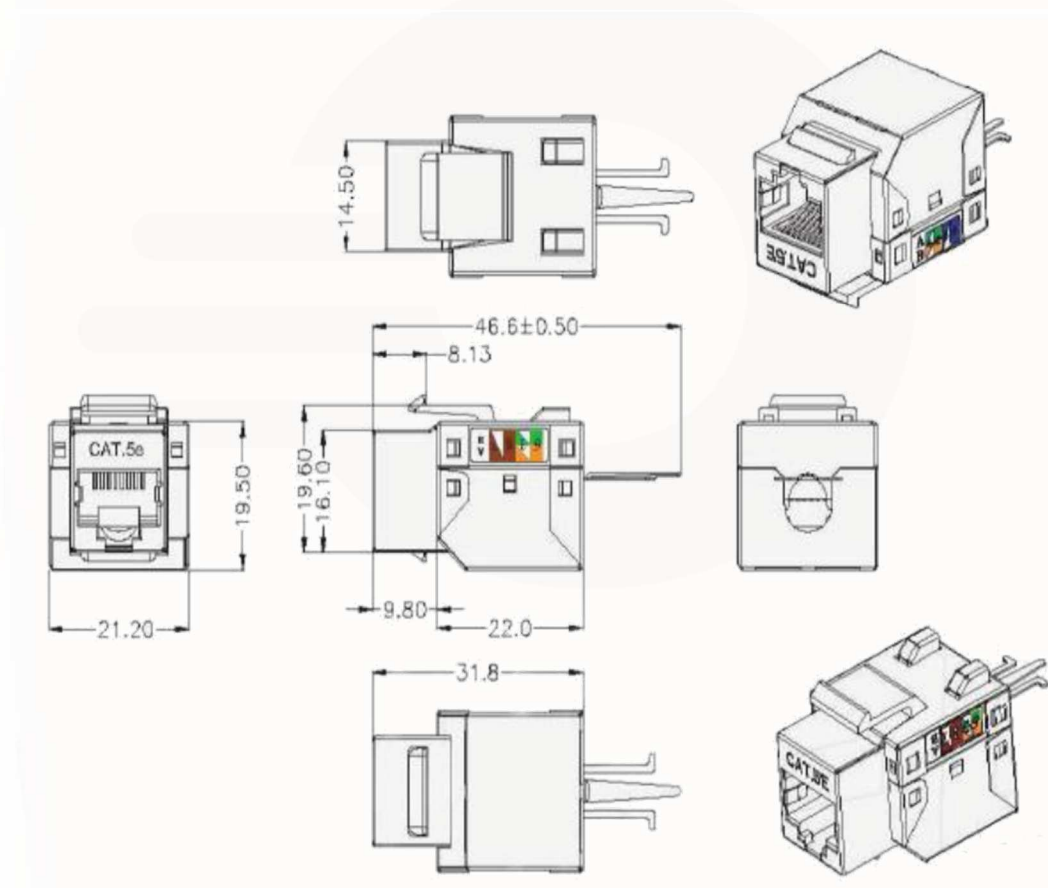
Insertion force	-
Retention strength	-
Dielectrics strength	750 Vac RMS 60Hz, 1 min
Insulation resistance	1000 MΩ Min.
Contact resistance	100 mΩ Max. @500 Vdc
Voltage rating:	125 VAC RMS
Current rating	1.5 A
Life (mating cycles)	-

Environmental:

Operating Temp.	From 0 to 70°C conform to TIA/E IA 568 BC.2
Stock Temp.	From -40 to 85°C

Compliance:

Transmission performance compliance	Cat. 5E FTP
Wiring Printing	T568A & T568B wiring Printing on IDC cap.
Other:	IDC type terminations with built-in strain relief system



Ordering Information code:

OC-MJ5-232220-00 ORCA - KEYSTONE JACK RJ45 CAT 5E FTP - MODULAR