

LAN EQUIPMENT

# Industrial Ports PoE Fast Ethernet Switch



<b>industrial</b> 	<b>POE+</b> <b>30W</b>	<b>Ultra Cache</b> 	<b>Protection</b> <b>6KV</b>	<b>One Key VLAN</b> 
-----------------------	---------------------------	------------------------	---------------------------------	-------------------------

## Description

ORCA 8 ports un-managed industrial ethernet switch provides one uplink ethernet port and one uplink optical port (100Mbps), eight 100Mbps PoE ethernet ports which supporting af/at power supply standard. This product is designed for high definition IP camera network access; which supports one key CCTV model, can achieve VLAN, restrain the Netstorm, protect the information security and prevent the virus spread and Ethernet attack; it also integrates optical interface to achieve the perfect performance which blended with fiber optical transceivers and network switches, to solve the problem of long-distance transmission. The product could be used in network security video surveillance, network project etc.

### General Feature:

Standard IEEE802.3 ,IEEE802.3u ,IEEE802.3ab,IEEE802.3z,IEEE802.3 af/at;

Provide 1 optical and 1 Ethernet uplink ports, Combo

Provide 8x10/100 Mbps adaptive downlink ports

Support port(Auto MDI/MDIX)function

The PoE ethernet port supports IEEE802.3 af/at standard and can provides up to 30W power

One key CCTV model; 1~8 downlink ports can only communicate with uplink ports; the furthest transmission distance could reach 250m

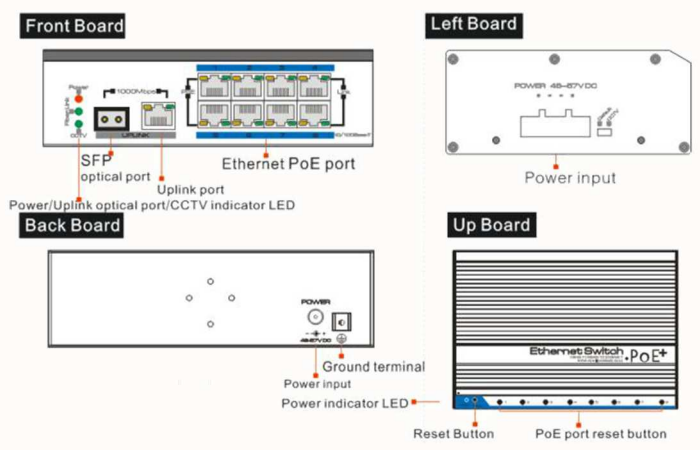
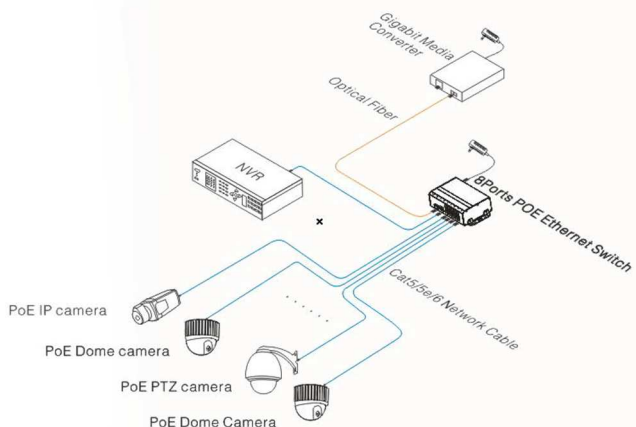
Standard DC port and green terminal port, support power adapter with different connectors and power

Redundant power design, support power hot backup

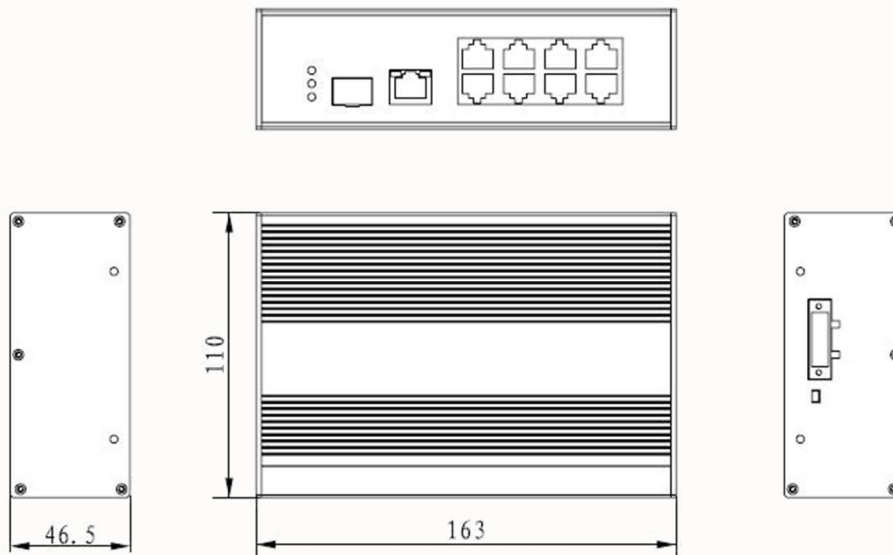
Excellent circuit for isolation protection, Anti-thunder ability up to 6KV;

Quasi-industrial products, fan-free heat folds metal design;

Fast installation, easy operation, convenient for wallhung, din rail and desktop installation.



Specifications subject to change without prior notice - For more details please visit www.orca.it



### Specification:

Downstream Ports	8* 10/100Base-T
Uplink Ports	1*1000Base-X SFP Port combo 1*10/100/1000Base-T
Network Standard	IEEE802.3 , IEEE802.3u, IEEE802.3ab, IEEE802.3z, IEEE802.3 X
Switch Capacity	5,6 Gbps
Throughput	4 Mpps
Switch Processing Scheme	Store and Forward
Memory Buffer	1M
MAC Table	8K
PoE Standard	802.3af/at
PoE Type	End-span
Power Pin Assignment	1/2(+), 3/6(-)
PoE Power Output	48~57V DC; 30 W max;
PoE Budget	120 watts max
Lightning protection	6KV Execute : IEC61000-4-5 6KV Contact discharge; 8KV Air discharge
ESD	Execute : IEC61000-4-2
Power Supply	DC 48~57V
Power Dissipation	<6W
Work temperature	-40°C~75°C
Storage temperature	-40°C~85°C
Humidity(Non-condensin)	5%-95%
Dimension (L×W×H)	159mm×110mm×46mm
Material	Aluminum
Weight	530g
MTBF	200000 Hour
Ingress protection rating	IP40
Regulator	CE, FCC, RoHS
Package List	Switch, power adapter, 2 hanger, din rails hanger, User Manual

### Ordering Information code:

OC-LAN-481214-08      ORCA – Industrial 8 Ports PoE fast Ethernet Switch