

FIBER CONNECTORS

FAOC – Field Assembly Optical Connector LC TYPE



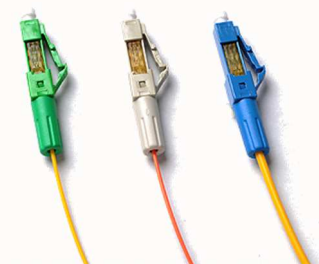
Description

ORCA LC type FAOC is a pre-polished and pre-assembled connector that holds a fiber in place and can be installed within 2 minutes using simple tools and can be recycled several times. The LC typer is a small design with great details and tecnology. It is available in several configurations to fit many different application for a single mode, multi mode and APC applications. The APC connector is designed to provide a superior return loss whitout sacrificing insetion loss. It enables fast and on-site installation of 250/900µm, (2.0mm, 3.0mm and 1.6mm x 2.0mm, 2.0mm x 3.0mm)* cable type connectors even when the user has no access to power. It accommodates a reliable and durable optical network especially suitable for advanced fiber optic systems requiring exceptional stability and low loss.

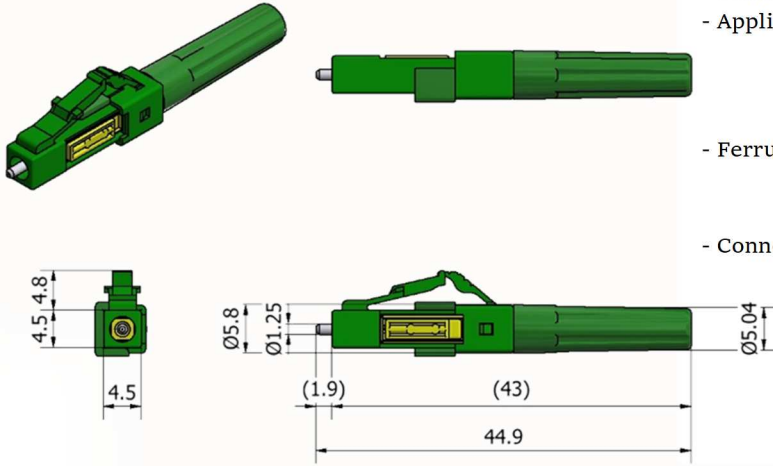
| Item: | Assembling Tools: |
|--------------------------------------|----------------------|
| - Field Installable Connector | - Cleaver |
| - Fast Installable Optical Connector | - Scissors |
| - Pre-polished Optical Connector | - Gauze with Alcohol |
| - Quick Assembly Connector | - Stripper |

| Application: | Features: |
|---------------------------------|---|
| - Fiber Optic Telecommunication | - Quick and easy fiber termination |
| - Fiber Distribution Frame | - Available to re-use |
| - FTTH Outlets | - High success rate of connection |
| - Optical Cable Interconnection | - Superior optical characteristic value |
| - Cable Television | - Simple assembly process |
| - No failure after opening | - Easy identification of connectors type by frame colour, black boot for all type |

| Product Specification: | |
|------------------------|--|
| Standard | TIA / EIA 604-10 [LC] |
| Insertion Loss | Typ. 0.3dB / Max. 0.5dB |
| Return Loss | >50dB [PC], >55dB [APC] |
| Endurance | 500 times reconnection / ≤ 0.2dB |
| Tension | [3.0mm, 2.0mm X 1.6 x 2.0mm] 3.0kg / ≤ 0.2dB change (*) [250µm&900µm] 0.75kg / ≤ 0.2dB change |
| Temperature Change | 21 times / -40°C ~ +85°C / ≤ 0.2dB change (*) on request only |



Specifications subject to change without prior notice - For more details please visit www.orca.it



Connector type:

- Ferrule Type Ceramic Zirconia
- Application Fiber type
 - SM : Standard Single Mode Fiber type
 - MM : Multi Mode 50/125 & 62.5/125 Micron fiber type (OM1, OM2/5)
- Ferrule Polishing type:
 - PC type : Physical Contact type
 - APC type : Angled Physical Contact type
- Connector type for using cable type
 - 3.0mm (Round) type (*)
 - 2.0mm (Round) type (*)
 - 2.0mm X 3.0mm (Flat) type (*)
 - 1.6mm X 2.0mm (Flat) type (*)
 - 250µm&900µm (Round) type

| End Face Geometry [Based on GR-326] | PC type | APC type (^) |
|-------------------------------------|---------------|---------------|
| Radius of Curvature (nm) | 7~25 | 5~12 |
| Fiber Undercut (nm) | Less than 100 | Less than 100 |
| Fiber Protusion | Less than 100 | Less than 100 |
| Apex Offset (um) | Less than 50 | Less than 50 |
| Tilt Error on APC 8' | None | ±0.3 |



| Ordering Information code: (MOQ 10 pz.) | |
|---|---|
| OC-FCE-131116-03 | ORCA - Pre-Assembled Connector LC MultiMode OM1 62,5/125 - 250/900 |
| OC-FCE-131116-01 | ORCA - Pre-Assembled Connector LC MultiMode OM2 50/125 - 250/900 |
| OC-FCE-131116-02 | ORCA - Pre-Assembled Connector LC MultiMode OM3/4 50/125 - 250/900 |
| OC-FCE-131116-00 | ORCA - Pre-Assembled Connector LC SigleMode OS2 9/125 - 250/900 (^) |

(^) APC version on request

