



# HEAT SHRINKABLE SLEEVE

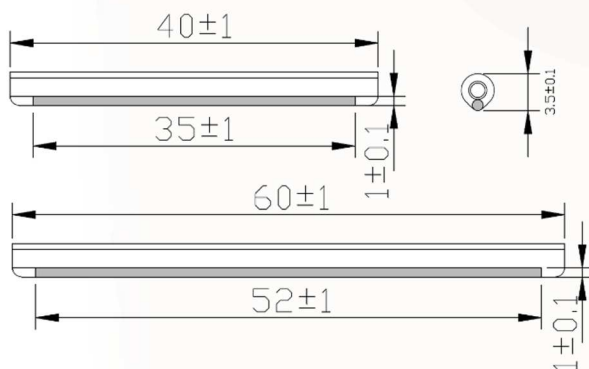
## Description

The ORCA® fiber heat shrinkable tube is made of heat shrinkable polymer material. The transparent outer layer is convenient to detect whether the fiber joint is connected correctly, so that the fiber can be assembled in a simple and safe way and provide protection. After shrinkage, the optical transmission characteristics of the fiber can be maintained to provide strength and protection for the fiber joint. It can avoid the damage of optical fiber during installation.

### Feature:

- Does not affect the optical conductivity characteristics of the fiber
- Protect connection points and improve mechanical strength
- Simple operation, reduce the risk of optical fiber damage during installation
- Transparent casing makes the fiber connection clear at a glance
- The sealing structure makes the connection have good temperature and humidity resistance
- Operating temperature -55 ~ 105° C; shrinkage temperature range 90 ~120° C

Length	40 or 60mm version
Steel type	SUS 304
Material	PE
Outside ø after shrinkage	2,5mm
Range of application	Bare fiber
Packaging	120 Pz.



### Ordering Information code:

OC-ACC-150000-40	ORCA - Heat shrinkable sleeve 40mm - (conf. 120 Pz.)
OC-ACC-150000-60	ORCA - Heat shrinkable sleeve 60mm - (conf. 120 Pz.)

Specifications subject to change without prior notice - For more details please visit [www.orca.it](http://www.orca.it)